

Burford®

Hydraplate Bread Pan Oiler

Designed to decrease oil usage, extend glaze life, and improve oil sanitation conditions.

MODEL 7000-3PLC – RIGHT HAND, MODEL 7100-3PLC – LEFT HAND

The Burford® Hydraplate, a precision high speed bread pan oiler, uses new technology to provide a finer coverage of oil droplets on the bread pan release surfaces. Convenient adjustment points make operator setup quick and simple.



Model 7100-3PLC - Left Hand Shown

PRACTICAL SOLUTIONS THROUGH INNOVATIVE TECHNOLOGIES

Burford®
bc

CALL US TODAY 1-877-BURFORD (287-3673)

P.O. Box 748 • Maysville, OK 73057 • Telephone (405) 867-4467 • Fax (405) 867-4219 • e-mail: sales@burford.com • web site: www.burford.com

Copyright © Burford Corp. All rights reserved. Burford Corp. is a registered trademark with the US Patent & Trademark Office.

HYDRAPLATE BREAD PAN OILER



BURFORD® CORP.

Model 7000-3PLC OILER (AS SHOWN) RIGHT HAND

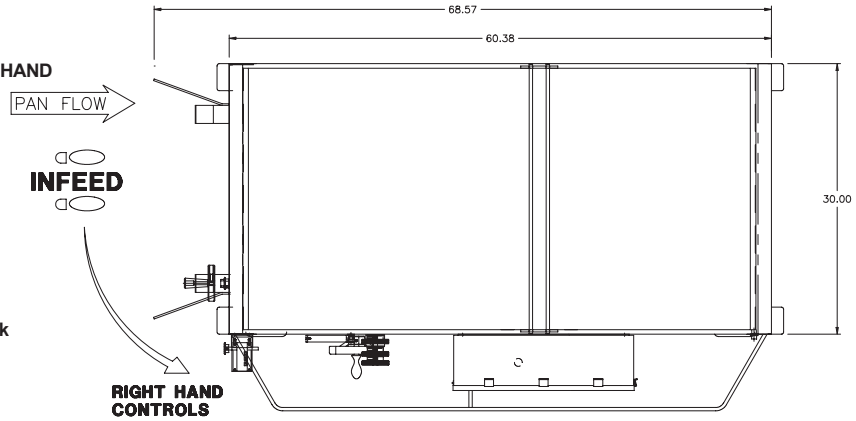
FEATURES:

- PLC Controller System
- 3 Nozzle Spray Head Assembly
- Locking Swivel Casters
- Precise Oil Quantity Control

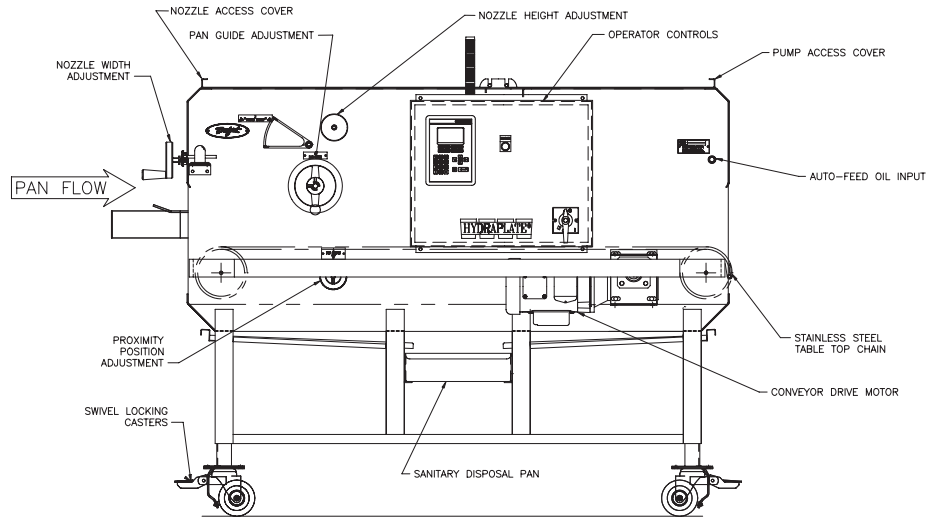
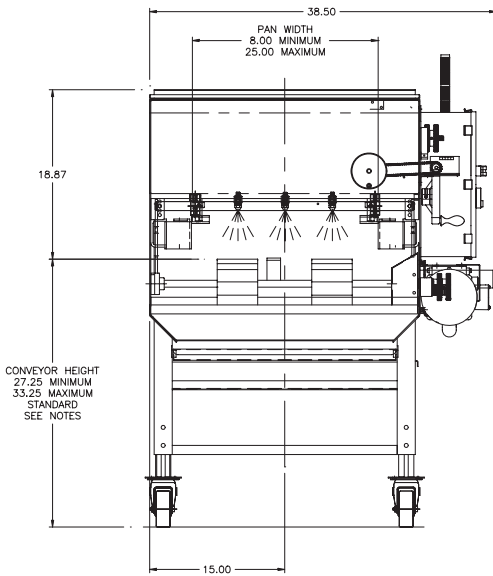
OPTIONS:

- Special Height Requirements
- Custom Electrical Requirements

Oil Supplied from Drum or Bulk Storage Tank



TOP VIEW



FRONT VIEW OPERATOR SIDE

SPECIFICATIONS

ELECTRICAL:

115 VOLT, 50/60 HZ, 1 PHASE
TOTAL ELECTRICAL SERVICE – 12 AMPS

CONSTRUCTION:

STAINLESS STEEL FRAME, CABINET SUPPORTS & CONVEYOR CHAIN

SPEED:

UP TO 220 CAVITIES PER MINUTE