

# BURFORD® ROTARY SEEDER/TOPPER

PATENT NO. 4,611,555



PERFECT SEED PLACEMENT, INCREDIBLE  
ADHESION PAN AFTER PAN...

**Accurately applies a smooth coverage of  
a wide variety of toppings to baked goods.**



RIGHT HAND MODEL 9200 SHOWN  
WITH OPTIONAL CONVEYOR

- Stainless Steel Construction
- Exclusive Patented Design
- Quick Change Pattern Mandrel
- Even Seed & Topping Distribution
- Baker Oriented Controls & Adjustments
- Applies Wide Variety of Toppings
- High Quality Spot Water Spray Systems
- Provides Maximum Seed Savings

Designed especially for accurate application of seed and toppings, the Patented Burford® Rotary System provides complete control and adjustability.

*Burford*  
bc

CALL YOUR AUTHORIZED REPRESENTATIVE OR  
CALL TOLL-FREE. 1-877-BURFORD (287-3673)

PRACTICAL SOLUTIONS THROUGH INNOVATIVE TECHNOLOGIES

P.O. Box 748 • Maysville, OK 73057 • Telephone (405) 867-4467 • Fax (405) 867-4219 • e-mail: sales@burford.com • web site: www.burford.com

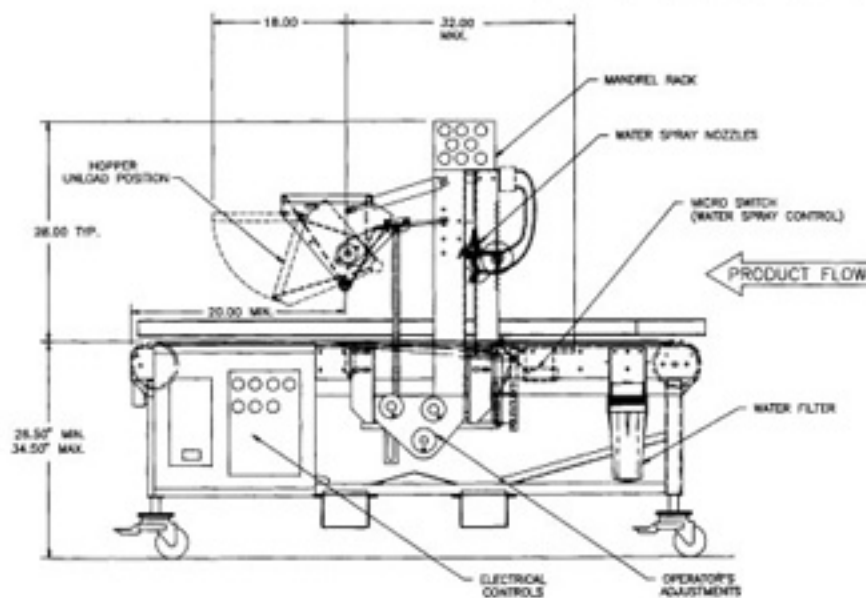
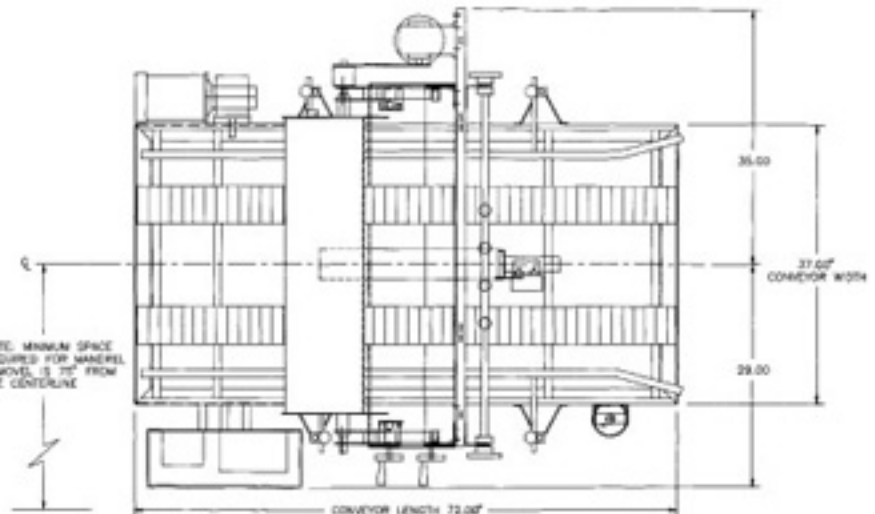
# ROTARY MANDREL SEEDER/TOPPER

PATENT NO. 4,611,555

# Burford®

## Options:

- Additional Wetting Nozzles
- Alternate Conveyor Elevations
- Alternate Conveyor Length & Width
- Automatic Seed Filling System
- Low Level Alarm
- Alternate Electrical Specifications
- Hopper Agitator for Oats, Bran, etc.
- Deflector Bar for Oats, Bran, etc.



## SPECIFICATIONS

### ELECTRICAL

110 VOLTS, 60HZ, 1 PHASE (STANDARD)

14.9 AMP. MAXIMUM

### AIR REQUIREMENT

90 PSI @ 1 CFM

### MOTORS

1/3 H.P. VARI SPEED D.C. (SEEDER)

1/2 H.P. (3.6 AMP.) A.C. (CONVEYOR)