

Burford® Flour Duster

MODEL FD200



The Burford® Flour Duster evenly applies flour to the top of bread or buns. The flour topping is easily controlled using the DC Controller.

FLOUR DUSTER SHOWN
WITH OPTIONAL STAND



INTERNAL HOPPER VIEW WITH
AGITATOR, BRUSH AND SCREEN

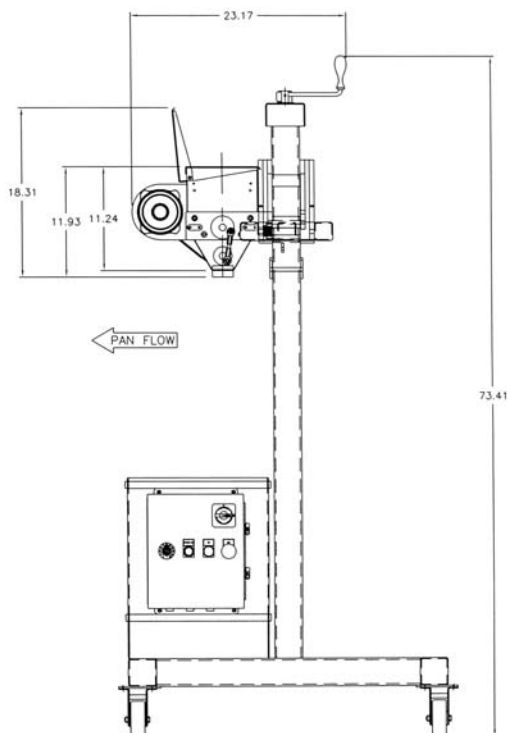
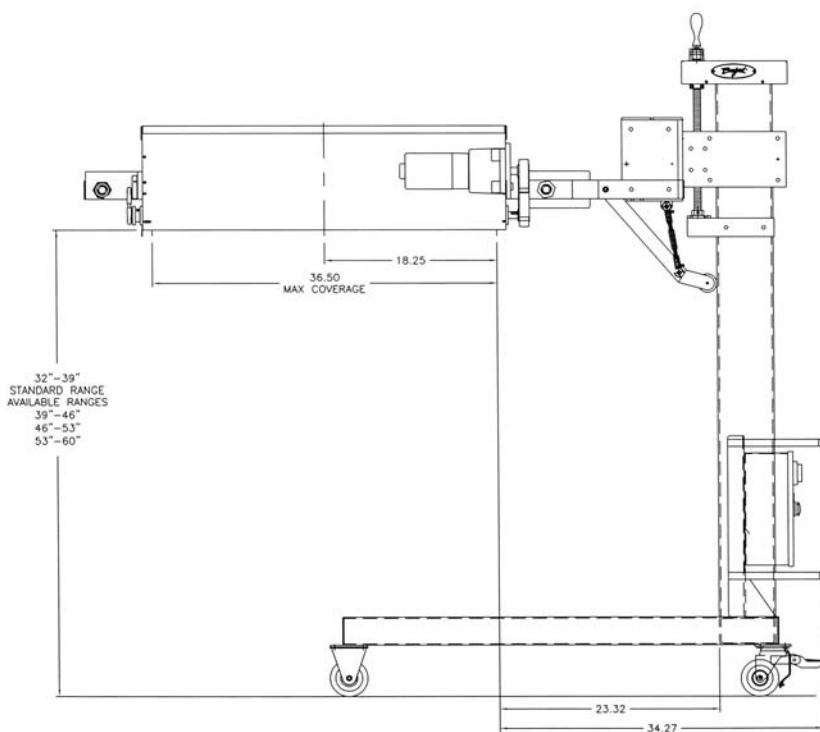
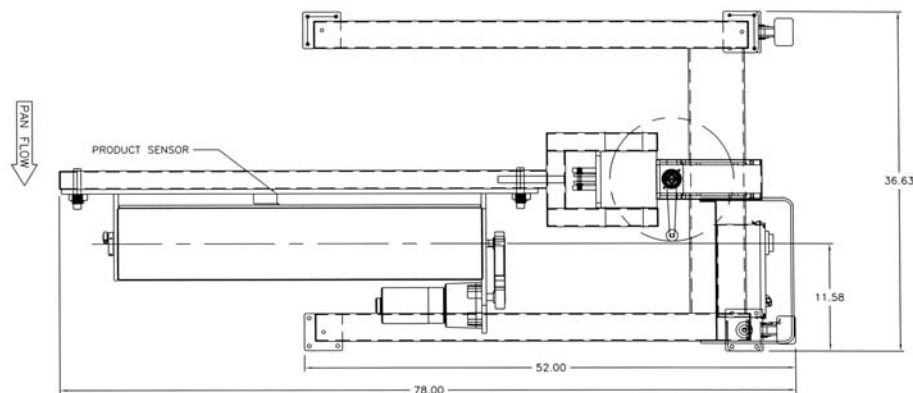
PRACTICAL SOLUTIONS THROUGH INNOVATIVE TECHNOLOGIES

Burford®
(bc)

CALL US TODAY 1-877-BURFORD (287-3673)

MODEL FD200 FLOUR DUSTER

WITH OPTIONAL STAND



SPECIFICATIONS

ELECTRICAL:

110 VOLT, 60HZ, 1 PHASE

8 AMPS TOTAL SERVICE

MAXIMUM DISPENSE WIDTH: 36"

SPEED:

1, VAR. SPEED D.C. CONTROLLED ¼ HP. 2.5 AMP

CONTROL:

24 VOLT DC CONTROL VOLTAGE

HOPPER CAPACITY:

1.5 CU. FT.