

# VERTICAL SERVO TWIST TYER

MODEL 2000VT - RIGHT HAND, MODEL 2100VT - LEFT HAND

The Model 2000VT twist tyer is uniquely designed to tie bags in the upright position at high speeds. A wide variety of applications can be solved with this highly flexible servo twist tyer.



- Servo Motor Design
- Automatic Timing
- Quick Easy Threading
- Quiet Operation
- High Speeds
- Durable Simple Design
- User Friendly Functions
- Vertical Brushes with Air Guides
- Self Diagnostics
- #1 Consumer Preferred Closure

MODEL 2000VT SHOWN WITH OPTIONAL STAND

**Burford**  
bc

CALL YOUR AUTHORIZED REPRESENTATIVE OR  
**CALL US TODAY 1-877-BURFORD (287-3673)**

PRACTICAL SOLUTIONS THROUGH INNOVATIVE TECHNOLOGIES

P.O. Box 748 • Maysville, OK 73057 • 1-405-867-4467 • Fax 1-405-867-4219 • e-mail: sales@burford.com • website: www.burford.com

# VERTICAL SERVO TWIST TYER

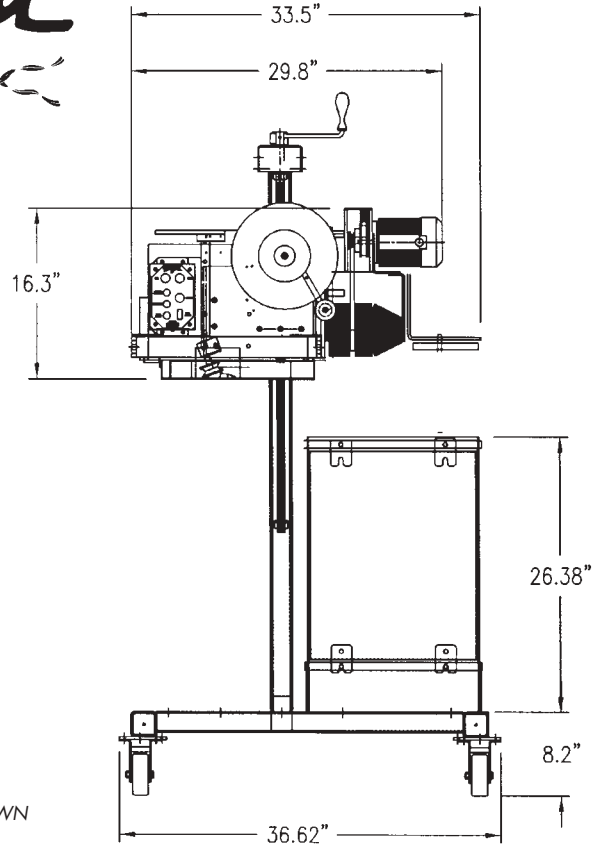


## Features

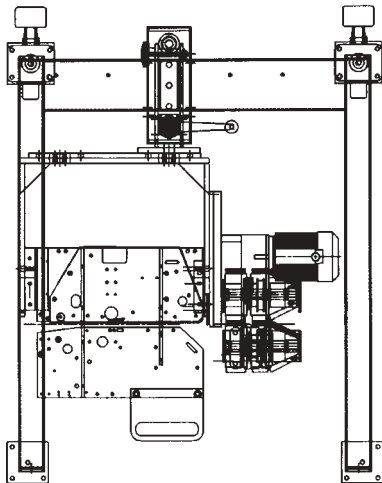
- Servo Motor Design
- Automatic Timing
- Quick Easy Threading
- Quiet Operation
- High Speeds
- Durable Simple Design
- User Friendly Functions
- Vertical Brushes with Air Guides
- Self Diagnostics
- Tightest Dependable Closure

## Options

- Tilting Height Adjustment Stand with Castors
- Digital Display
- Automatic Speed Adjustment Kit
- Package Detection System



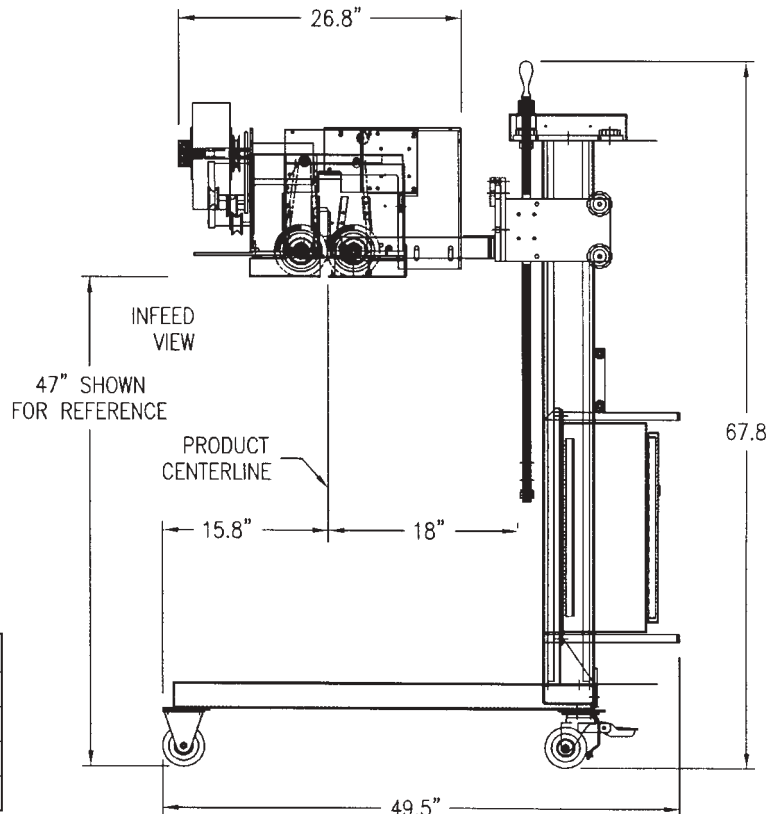
MODEL: 2000VT  
VERTICAL SERVO TWIST TYER SHOWN



OPERATOR CONTROLS  
THIS SIDE



MODEL 2000VT AS SHOWN LEFT HAND FLOW  
MODEL 2100VT RIGHT HAND FLOW



## SPECIFICATIONS

### ELECTRICAL:

115 VOLT, 60HZ, 1 PHASE (STANDARD)  
10 SERVICE AMPS  
6.25 AMPS MAX FOR TYER