

Burford®

Tamper Evident Closure System

MODEL TEC100 & MODEL BF100

The Tamper Evident Closure System improves the security and safety of your products. It works with existing packaging lines and packaging materials. Just add the system including TEC100 and BF100 and providing a sealed Tamper Evident Package is easy!

- Tamper evident bag tail
- Perforated for easy opening
- 100% seal with Bag Tail Flattener (BF100)
- Works with existing Servo Tyers and other closure systems



RIGHT HAND MODEL TEC100R AND MODEL BF100R



SERVO TYER MODEL 2000

TEC100R

BF100R



PRACTICAL SOLUTIONS THROUGH INNOVATIVE TECHNOLOGIES


Burford®
bc

CALL US TODAY 1-877-BURFORD (287-3673)

P.O. Box 748 • Maysville, OK 73057 • Telephone (405) 867-4467 • Fax (405) 867-4219 • e-mail: sales@burford.com • web site: www.burford.com

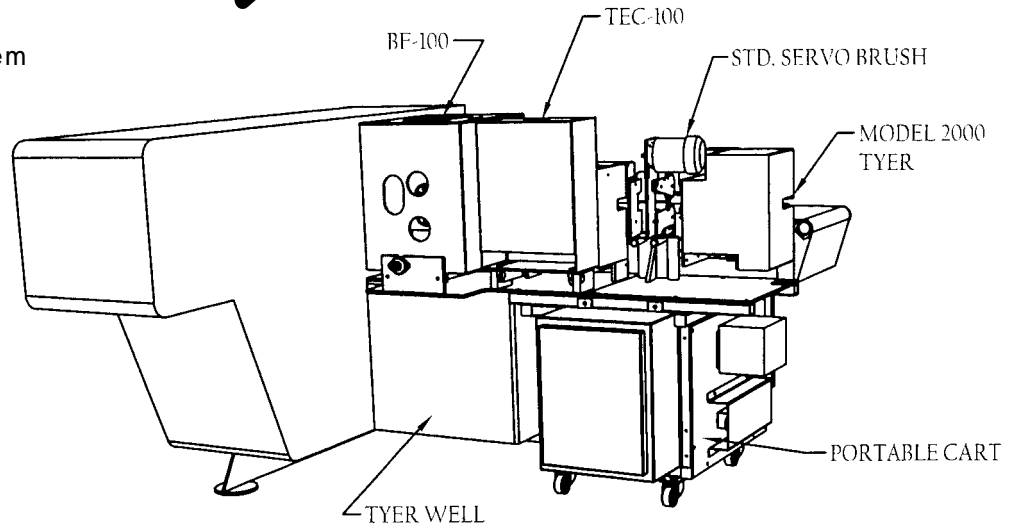
Copyright © Burford Corp. All rights reserved. Burford Corp. is a registered trademark with the US Patent & Trademark Office.

TAMPER EVIDENT CLOSURE SYSTEM

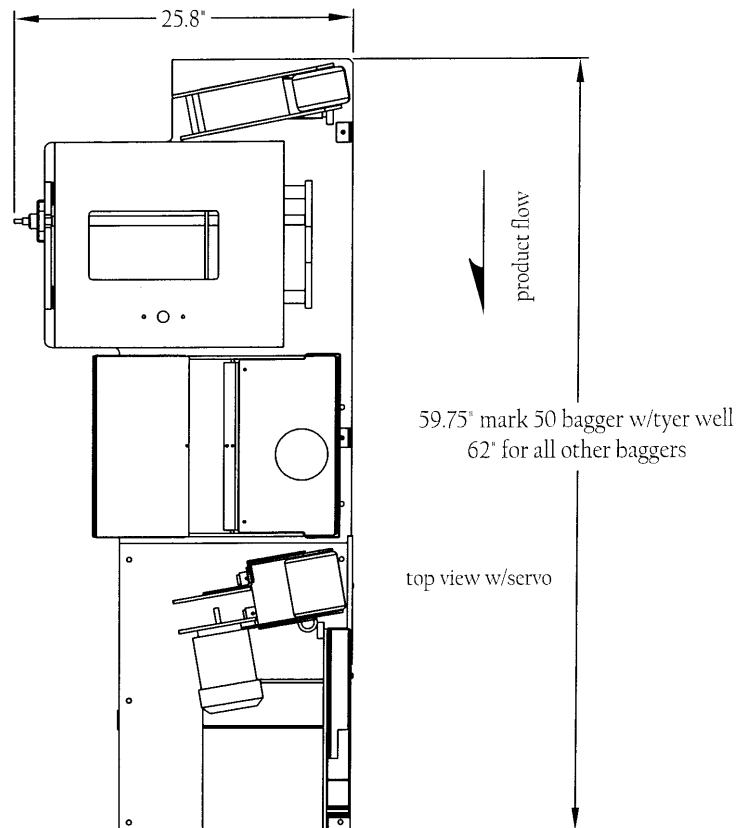
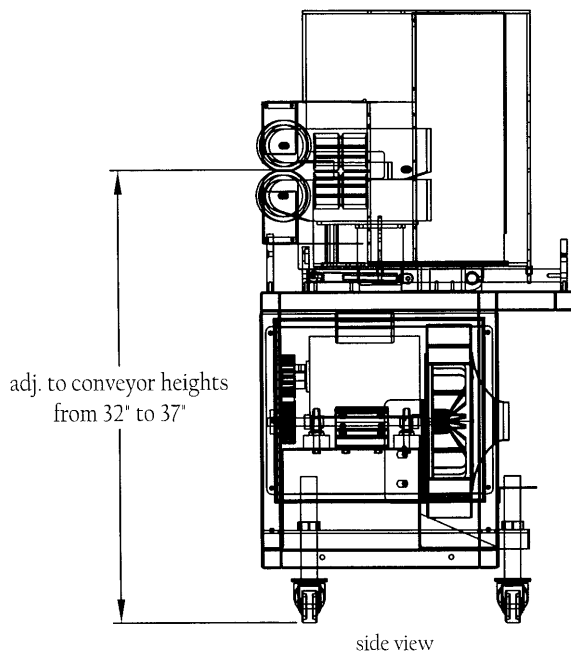
Burford


Features:

- Non-contact sealing method
- Patent pending hot air flow system
- Seals up to a 2 mil bag
- 110 ft. per minute
- Quick and simple maintenance
- Durable perforator system
- Easy operator controls: Seal, Transfer and Standby
- Automatic ambient temperature adjustment
- Bag Tail Flattener aligns open bag tails
- Compatible with Servo Tyer and other closure systems



RH mark 50 bagger shown with system extended over tyer well



SPECIFICATIONS

220 VAC, 30 AMP

80 PSI @ 12-15 CFM